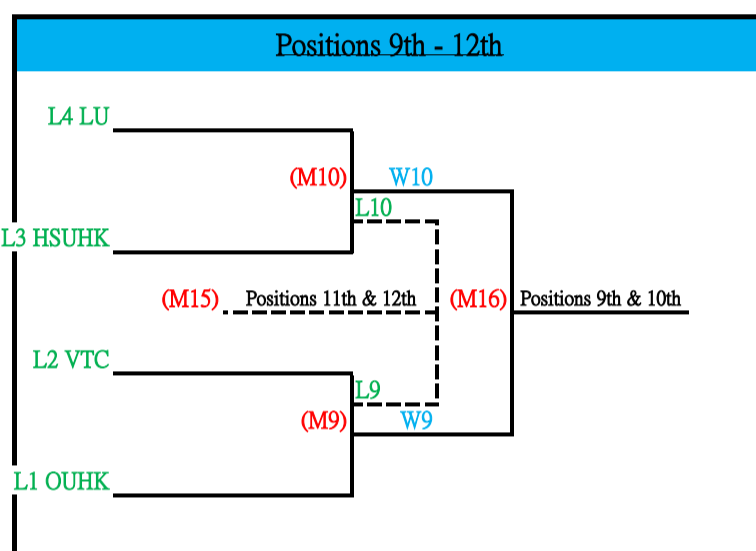
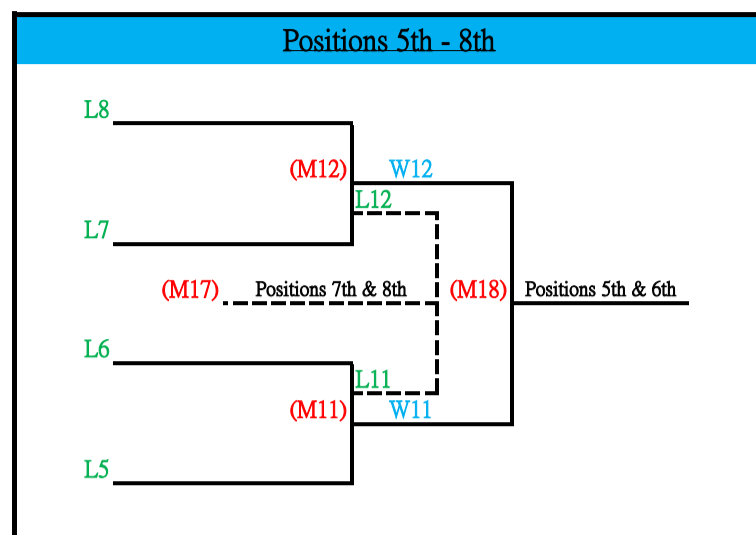
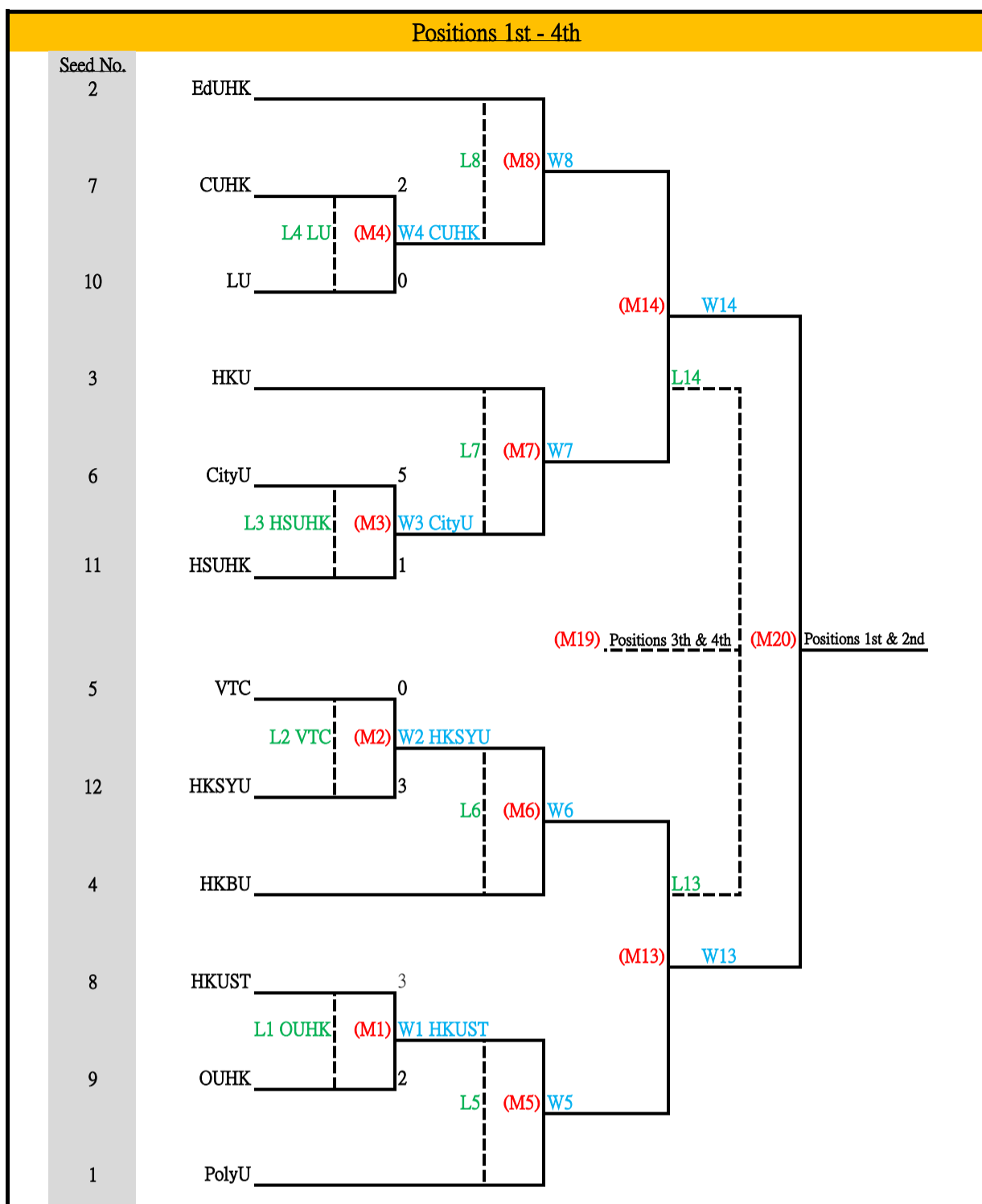




Fixture of USFHK Men's Soccer 2020 - 2021 (In Single Elimination Format)

Seed No.	1	2	3	4	5	6	7	8	9	10	11	12
Teams	PolyU	EdUHK	HKU	HKBU	VTC	CityU	CUHK	HKUST	OUHK	LU	HSUHK	HKSYU

Seed number 9 to 12 are according to lot drawing at the EC meeting (dated on 16 November 2020)



M:	Match
W:	Winner
L:	Losser

Dates	Time	Matches	Teams (Seed No.) / Winners (W) / Losers (L)	Venue	Convener In-charge
13 Mar 21 (Sat)	13:00	M1	HKUST (8) vs OUHK (9)	JSC	Dr. Alex Tsang
	13:00	M2	VTC (5) vs HKSYU (12)	CUHK	Mr. Matthe Yip
	15:00	M3	CityU (6) vs HSUHK (11)	JSC	Dr. Alex Tsang
	15:00	M4	CUHK (7) vs LU (10)	CUHK	Mr. Matthe Yip
20 Mar 21 (Sat)	13:00	M5	PolyU (1) vs W1 HKUST (Quarter-final)	JSC	Mr. Matthe Yip
	13:00	M6	HKBU (4) vs W2 HKSYU (Quarter-final)	EdUHK	Dr. Alex Tsang
	15:00	M7	HKU (3) vs W3 CityU (Quarter-final)	EdUHK	Dr. Alex Tsang
	15:00	M8	EdUHK (2) vs W4 CUHK (Quarter-final)	JSC	Mr. Matthe Yip
27 Mar 21 (Sat)	13:00	M9	L1 OUHK vs L2 VTC	JSC/OUHK/HKU	
	13:00	M10	L3 HSUHK vs L4 LU	JSC/OUHK/HKU	
	15:00	M11	L5 vs L6	JSC/OUHK/HKU	
	15:00	M12	L7 vs L8	JSC/OUHK/HKU	
4 Apr 21 (Sun)	13:00 - 17:00	Back-up Date		JSC/HKU	
10 Apr 21 (Sat)	13:00	M13	W5 vs W6 (Semi-final)	JSC	
	15:00	M14	W7 vs W8 (Semi-final)	JSC	
	13:00	M15	L9 vs L10 (Positions 11th & 12th)	LU/HKU	
	15:00	M16	W9 vs W10 (Positions 9th & 10th)	LU/HKU	
17 Apr 21 (Sat)	13:00	M17	L11 vs L12 (Positions 7th & 8th)	LU/HKU	
	15:00	M18	W11 vs W12 (Positions 5th & 6th)	LU/HKU	
	13:00	M19	L13 vs L14 (Positions 3rd & 4th)	JSC	
	15:00	M20	W13 vs W14 (Positions 1st & 2nd)	JSC	
24 Apr 21 (Sat)	13:00 - 17:00	Back-up Date		JSC/HKU	